

Local Combination Box : KSP, KSU, KSR

Features

- Electrical sounder is equipped for alarming
- New compact size Manual Call Point is equipped
- Brighter LED is used for built in Local Lamp
- Wiring Terminals can be equipped inside the Box for easier installation work
- Larger space is kept for easier wiring work
- Both Vertical and Horizontal installation are possible by rotating the Manual Call Point mounting



Specifications

Type	Model Name	Built in-components
Body Only	KSP-10HSF (W)	Local Lamp, 1 st Class Manual Call Point, Bell (Weather proof)
	KSP-20HSF (W)	Local Lamp, 2 nd Class Manual Call Point, Bell (Weather proof)
Flush Mount Type (with Flush Mount Box)	KSU-10HSF (W)	Local Lamp, 1 st Class Manual Call Point, Bell (Weather proof)
	KSU-20HSF (W)	Local Lamp, 2 nd Class Manual Call Point, Bell (Weather proof)
Surface Mount Type (with Surface Mount Box)	KSR-10HSF (W)	Local Lamp, 1 st Class Manual Call Point, Bell (Weather proof)
	KSR-20HSF (W)	Local Lamp, 2 nd Class Manual Call Point, Bell (Weather proof)
Local Lamp	Self Extinguishing Plastic (Red), LED, Rated DC/AC 24V, 19mA	
Sounder	Rated DC24V, 8mA, Electrical sound (8mA, Bell)	
Manual Call Point	Self Extinguishing Plastic (Red), LED, Rated DC/AC 24V, 0.2A	
Operating Temperature Range	-10°C ~ 50°C	
Material	Body, Surface mount box : Steel, t=1.2mm, Baked paint Flush mount box : Steel, t=1.6mm, Baked paint	
Color	Body, Surface mount box : Equivalent to Munsell 2.5Y9/1 Flush mount box : Equivalent to Munsell N-1.0	
Weight	Surface Mount Type : Approx. 3.3Kg Flush Mount Type : Approx. 3.5Kg	
Dimension	Surface Mount Type : 430mm(W) X 220mm(H) X 65mm(D) Flush Mount Type : 426mm(W) X 216mm(H) X 65mm(D)	
Made	JAPAN	

HOCHIKI CORPORATION

SINGAPORE BRANCH OFFICE

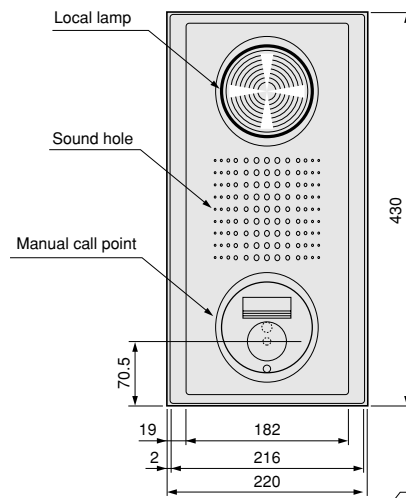
629 Aljunied Road #03-16 Cititech Industrial Building
Singapore 389838
Tel : 65-6841-9728 Fax : 65-6841-9781
Email : hochiki@singnet.com.sg

HEAD OFFICE

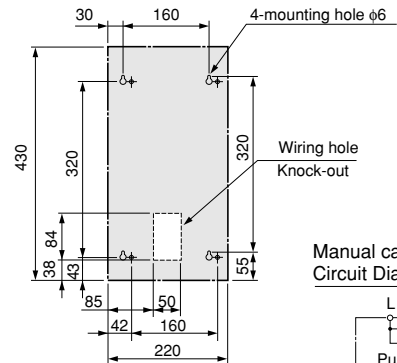
10-43 Kamiosaki 2-Chome. Shinagawa-Ku,
Tokyo 141-8660, Japan
Tel : 81-(3)-3444-4116 Fax : 81-(3)-3444-4167
URL : www.hochiki.co.jp

Hochiki Conventional System

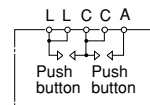
KSR-10HSF KSP-20HSF



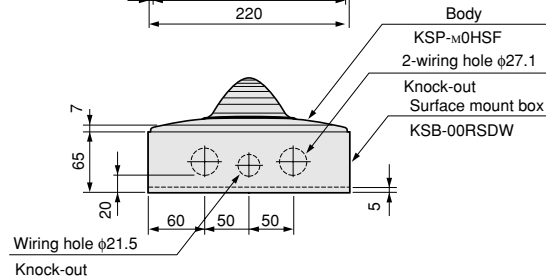
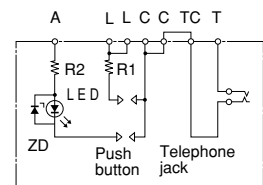
Wiring Holes and Mounting Holes



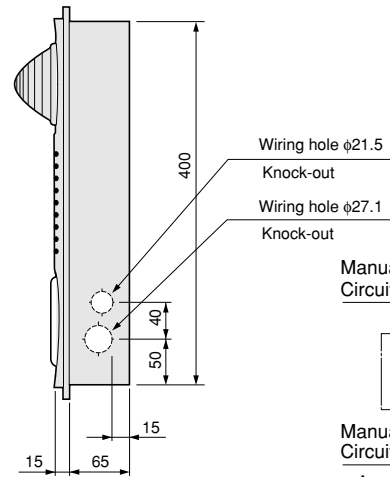
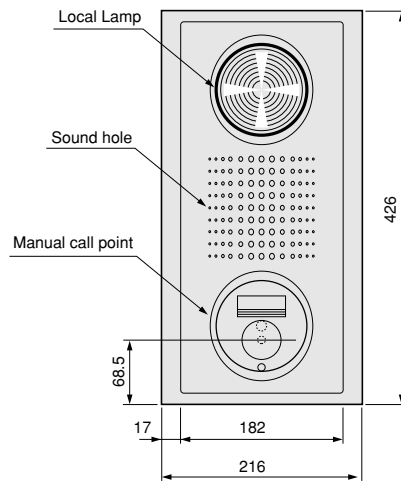
Manual call point Circuit Diagram (2nd Class)



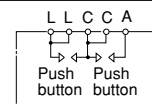
Manual call point Circuit Diagram (1st Class)



KSU-10HSF KSU-20HSF



Manual call point Circuit Diagram (2nd Class)



Manual call point Circuit Diagram (1st Class)

