

**CONVENTIONAL FIRE ALARM ANNUNCIATOR****FIP SERIES****DESCRIPTION**

The FIP series annunciators are auxiliary units of fire alarm panels and installed in the sub control room, guard room, etc., located remotely from the fire alarm control panel so that a careful fire management can be exercised by fire surveillance at multiple points.

The annunciator has the functions of indicating fire zones and of giving an audible alarm of those functions which the fire alarm control panel possesses. Upon operation of the fire alarm control panel, the annunciator activates the indication lamps and audible alarm devices.

The FIP series annunciator is equipped with means of telephone communication with attendants at the fire alarm control panel.

**FEATURES**

- Zone indication lamps (Red LEDs)
- Audible device (Electronic buzzer)
- Compact design

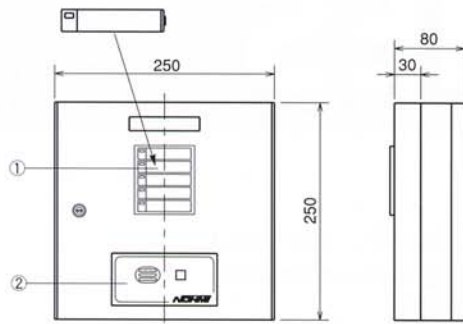
**20 Zones Annunciator (FIP117N-H2-20L)****5 Zones Annunciator (FIP220N-S-5L)****SPECIFICATIONS**

MODEL NUMBER	FIP117N Series	FIP220N-S-5L
MOUNTING TYPE	Wall mounting type	
TELEPHONE FUNCTION	Provided	Nil
ZONE LAMP	Red LED, 24VDC, 6.5mA	
AUDIBLE DEVICE	Electronic buzzer, 24VDC, 25mA	
MAIN MATERIAL	Steel sheet	
FINISH	Baked melamine	

**NOHMI BOSAI LTD.**

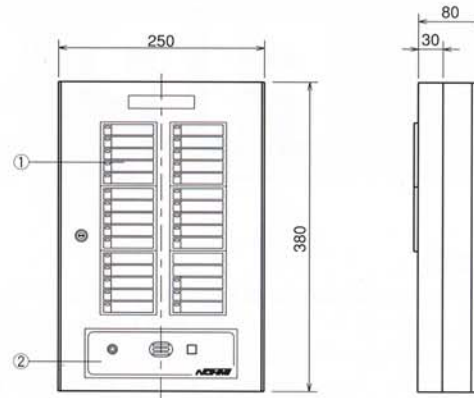
## FIP220N-S-5L and FIP117N-S-10L

- ① ZONE NAME PLATE
- ② CONTROL SWITCH PART



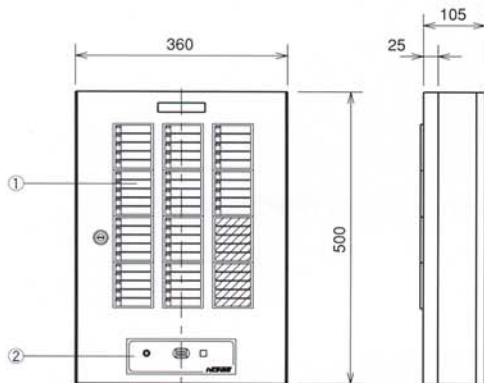
## FIP117N-H2-20L and 30L

- ① ZONE LAMP
- ② CONTROL SWITCH PART



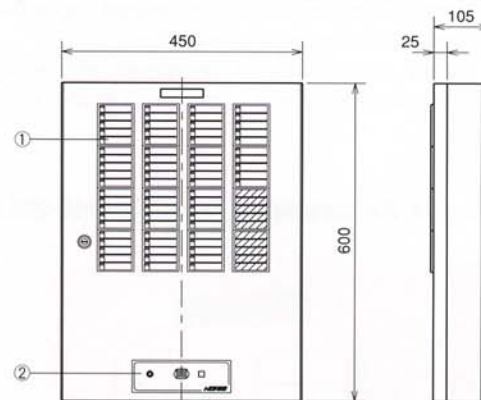
## FIP117N-E2-40L, 50L, and 60L

- ① ZONE NAME PLATE
- ② CONTROL SWITCH PART

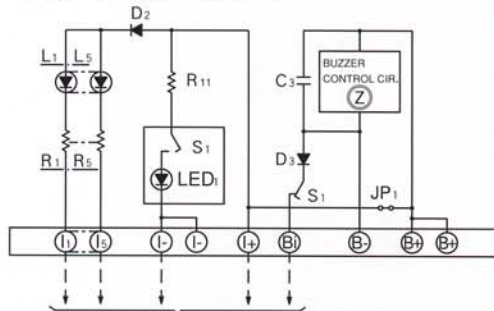


## FIP117N-A2-70L, 80L, 90L, 100L, 110L, and 120L

- ① ZONE LAMP
- ② CONTROL SWITCH PART

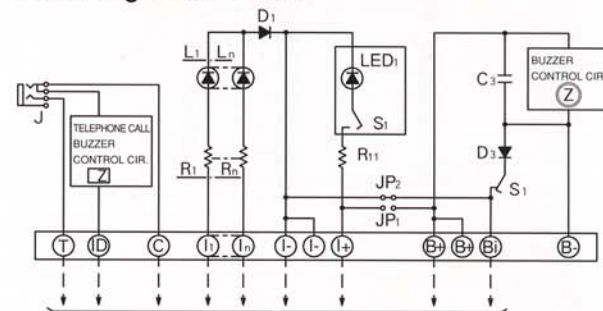


### Circuit Diagram of FIP220N-S-5L



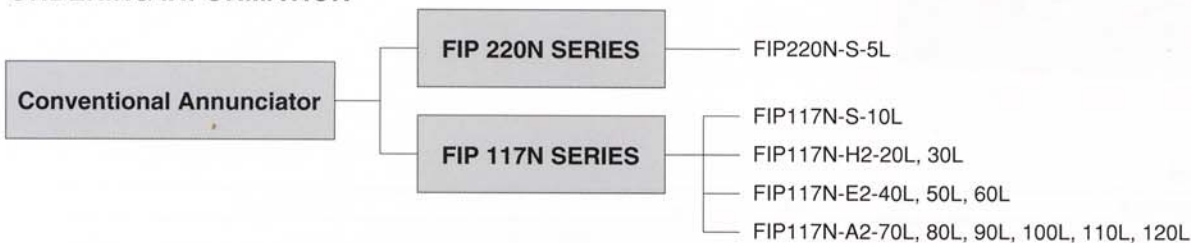
TO CLASS P-TYPE 2 FIRE ALARM CONTROL PANEL

### Circuit Diagram of FIP117N



TO FIRE ALARM CONTROL PANEL

## ORDERING INFORMATION



● These instructions do not purport to cover all the details or variations in the equipment described, nor provide for every possible contingency to be met in connection with installation, operation and maintenance.

● Specifications are subject to change without notice. Contact Nohmi before relying on above specifications.

● Actual performance is based on proper application of the product by a qualified professional.

● Should further information be desired or should particular problems arise, which are not covered sufficiently for the purchaser's purposes, the matter should be referred to Nohmi or a distributor in your region.

# NOHMI

NOHMI BOSAI LTD.

● HEAD OFFICE : 7-3, Kudan-Minami 4-chome, Chiyoda-ku, Tokyo 102-8277, Japan

● PHONE : (81)3-5325-0803

● FAX : (81)3-5325-0802