



**REPLACEMENT RESIDENTIAL  
AUTOMATIC SPRINKLERS  
MODEL GL4211  
CONCEALED PENDENT**

**DESCRIPTION AND OPERATION**

The Globe Model GL4211 Residential Concealed Pendent Sprinkler is a low profile yet durable design which utilizes a 3mm frangible glass ampule as the thermosensitive element. It features both economy and aesthetics. The combination of the 3mm frangible glass ampule and specially designed deflector make the Model GL4211 Residential Concealed Pendent Sprinkler the ultimate in life safety and fire control. This residential sprinkler has met the strict requirements of Underwriters Laboratories Inc. as described in the UL Standard, UL 1626, for Residential Sprinklers for Fire Protection Service, and should be used accordingly. These sprinklers should also be installed in accordance with the appropriate NFPA Standard 13R or 13D.

All that is seen at the ceiling is a 3 5/16" diameter ceiling plate color finished to match the specifier's exact requirements. Globe's Residential Concealed Pendent Sprinkler utilizes its pendent residential type sprinkler which is concealed from view by a dome shaped ceiling plate that conceals the sprinkler just below the ceiling line for faster response once the ceiling plate has fallen away. The ceiling plate is soldered to the sprinkler's special upper support assembly in three places. Upon the application of sufficient heat, the plate falls to the floor exposing the residential pendent spray sprinkler. At the ampule's rated temperature, the sprinkler opens discharging water onto the floor in its required and approved distribution pattern.

A special spring is attached to the residential pendent sprinkler deflector that serves to provide a constant tension against the ceiling plate. This feature virtually ensures freedom from environmental vibration problems.

The heart of Globe's Model GL4211 sprinkler proven actuating assembly is a hermetically sealed frangible glass ampule that contains a precisely measured amount of fluid. When heat is absorbed, the liquid within the bulb expands increasing the internal pressure. At the prescribed temperature the internal pressure within the ampule exceeds the strength of the glass causing the glass to shatter. This results in water discharge which is distributed in an approved pattern.

**TECHNICAL DATA**

- See reverse side for Approvals and Specifications.
- Temperature Rating - 155°F (68°C).
- Water Working Pressure Rating - 175 psi (12 Bars).
- Factory tested hydrostatically to 500 psi (34 Bars).
- Maximum low temperature glass bulb rating is -67°F (-55°C).
- Frame - bronze • Deflector - brass • Screw - brass
- Bulb seat - copper • Spring - nickel alloy • Seal - teflon
- Bulb - glass with alcohol solution, 3mm size.
- Cover Plate - brass
- Upper Escutcheon Assembly - steel



**RESIDENTIAL  
CONCEALED PENDENT**

**SPRINKLER TEMPERATURE RATING/CLASSIFICATION and COLOR CODING**

CLASSIFICATION	AVAILABLE SPRINKLER TEMPERATURES	BULB COLOR	N.F.P.A. MAXIMUM CEILING TEMPERATURE
ORDINARY	155°F      68°C	RED	100°F      38°C

# REPLACEMENT RESIDENTIAL AUTOMATIC SPRINKLERS MODEL GL4211 CONCEALED PENDENT

## SPECIFICATIONS AND APPROVALS

SIN MODEL	K FACTOR	THREAD SIZE	LENGTH	FINISHES	155°F (68°C) WITH PLATE 135°F (57°C)	cULus
GL4211	4.2 (59 metric)	1/2" NPT	2 1/2" (6.4 cm)	Bright Chrome White Painted *Satin Chrome *Bright Brass *Other Painted Finishes	X	X

NOTE: METRIC CONVERSIONS ARE APPROXIMATE.

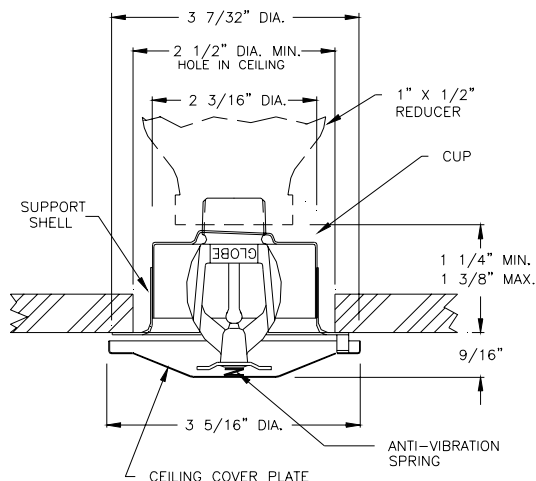
\*FINISHES AVAILABLE ON SPECIAL ORDER.

## INSTALLATION DATA

### CONCEALED PENDENT SPRINKLER

MAXIMUM AREA OF COVERAGE	MINIMUM WATER DISCHARGE & PRESSURES NEEDED	
	SINGLE SPRINKLER	TWO SPRINKLERS
12' x 12'	13 G.P.M. - 9.6 P.S.I.	11 G.P.M. - 7 P.S.I. (EACH)
14' x 14'	17 G.P.M. - 16.4 P.S.I.	13 G.P.M. - 9.6 P.S.I. (EACH)
16' x 16'	22 G.P.M. - 27.4 P.S.I.	16 G.P.M. - 14.5 P.S.I. (EACH)

### CROSS SECTION



1/8" ADJUSTMENT

### ORDERING INFORMATION

#### SPECIFY

- Quantity • Model Number • Style
- Orifice • Temperature • Finishes desired
- Quantity - Wrenches - P/N 325390
- Quantity - Recessed Wrenches - P/N 325391
- Quantity - Protective Caps - P/N 327119

### GLOBE® PRODUCT WARRANTY

Globe agrees to repair or replace any of its own manufactured products found to be defective in material or workmanship for a period of one year from date of shipment.

For specific details of our warranty please refer to Price List Terms and Conditions of Sale (Our Price List).



4077 AIRPARK DRIVE, STANDISH, MICHIGAN 48658

989-846-4583

FAX 989-846-9231

1-800-248-0278

www.globesprinkler.com