



**REPLACEMENT RESIDENTIAL
AUTOMATIC SPRINKLERS
MODEL GL4210
PENDENT
RECESSED PENDENT**

DESCRIPTION AND OPERATION

The Globe Model GL4210 Residential Sprinkler is a low profile yet durable design which utilizes a 3mm frangible glass ampule as the thermosensitive element. It features both economy and aesthetics.

The combination of the 3mm frangible glass ampule and specially designed deflector make the Model GL4210 Residential Sprinkler the ultimate in life safety and fire control. The Globe Pendent and Recessed Pendent Model GL4210 Residential Sprinklers have met the strict requirements of Underwriters Laboratories Inc. as described in the UL Standard for Residential Sprinklers for Fire Protection Service, UL 1626, and should be used accordingly.

The heart of Globe's Model GL4210 sprinkler proven actuating assembly is a hermetically sealed frangible glass ampule that contains a precisely measured amount of fluid. When heat is absorbed, the liquid within the bulb expands increasing the internal pressure. At the prescribed temperature the internal pressure within the ampule exceeds the strength of the glass causing the glass to shatter. This results in water discharge which is distributed in an approved pattern.



**RESIDENTIAL
PENDENT**



**RESIDENTIAL
RECESSED PENDENT**

TECHNICAL DATA

- See reverse side for Approvals and Specifications.
- Temperature Rating - 155°F (68°C).
- Water Working Pressure Rating - 175 psi (12 Bars).
- Factory tested hydrostatically to 500 psi (34 Bars).
- Maximum low temperature glass bulb rating is -67°F (-55°C).
- Frame - bronze • Deflector - brass • Screw - brass
- Bulb seat - copper • Spring - nickel alloy • Seal - teflon
- Bulb - glass with alcohol based solution, 3mm size.
- Escutcheon Assembly - steel

• SPRINKLER TEMPERATURE RATING/CLASSIFICATION and COLOR CODING

CLASSIFICATION	AVAILABLE SPRINKLER TEMPERATURES	BULB COLOR	N.F.P.A. MAXIMUM CEILING TEMPERATURE
ORDINARY	155°F 68°C	RED	100°F 38°C

REPLACEMENT RESIDENTIAL AUTOMATIC SPRINKLERS MODEL GL4210 PENDENT • RECESSED PENDENT

SPECIFICATIONS AND APPROVALS

SIN MODEL	K FACTOR	THREAD SIZE	LENGTH	FINISHES	155°F 68°C	cULus	NYC - DOB MEA 101-92-E
GL4210	4.2 (59 metric)	1/2" NPT	2 1/2" (6.4 cm)	Factory Bronze *Satin Chrome Bright Chrome White Polyester+ Black Polyester+ *Lead Coated	X	X	X

NOTE: METRIC CONVERSIONS ARE APPROXIMATE.

*FINISHES AVAILABLE ON SPECIAL ORDER.
+AVAILABLE AS U.L. AND C-U.L. LISTED CORROSION
RESISTANT WHEN SPECIFIED ON ORDER.

INSTALLATION DATA

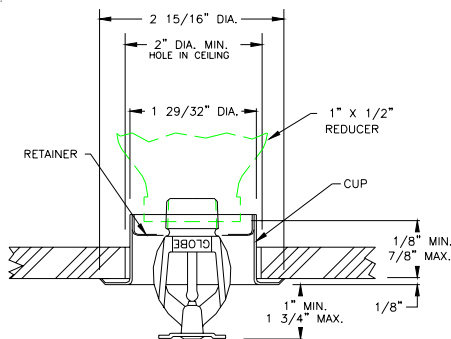
PENDENT SPRINKLER

SIN MODEL	MAXIMUM AREA OF COVERAGE	MINIMUM WATER DISCHARGE & PRESSURES NEEDED	
		SINGLE SPRINKLER	TWO SPRINKLERS
GL4210	12' x 12'	13 G.P.M. - 9.6 P.S.I.	11 G.P.M. - 7 P.S.I. (EACH)
	14' x 14'	20 G.P.M. - 22.7 P.S.I.	14 G.P.M. - 11.1 P.S.I. (EACH)
	16' x 16'	20 G.P.M. - 22.7 P.S.I.	14 G.P.M. - 11.1 P.S.I. (EACH)
	20' x 20'	19 G.P.M. - 20.5 P.S.I.	16 G.P.M. - 14.5 P.S.I. (EACH)

RECESSED PENDENT SPRINKLER

GL4210	12' x 12'	13 G.P.M. - 9.6 P.S.I.	11 G.P.M. - 7 P.S.I. (EACH)
	14' x 14'	18 G.P.M. - 18.4 P.S.I.	13 G.P.M. - 9.6 P.S.I. (EACH)
	16' x 16'	18 G.P.M. - 18.4 P.S.I.	13 G.P.M. - 9.6 P.S.I. (EACH)
	18' x 18'	18 G.P.M. - 18.4 P.S.I.	14 G.P.M. - 11.1 P.S.I. (EACH)
	20' x 20'	19 G.P.M. - 20.5 P.S.I.	16 G.P.M. - 14.5 P.S.I. (EACH)

CROSS SECTION



RECESSED PENDENT

ORDERING INFORMATION

SPECIFY

- Quantity • Model Number • Style
- Orifice • Temperature • Finishes desired
- Quantity - Wrenches - P/N 325390
- Quantity - Recessed Wrenches - P/N 325391
- Quantity - Protective Caps - P/N 327109-CAP (Friction Fit Recessed)

GLOBE® PRODUCT WARRANTY

Globe agrees to repair or replace any of its own manufactured products found to be defective in material or workmanship for a period of one year from date of shipment.

For specific details of our warranty please refer to Price List Terms and Conditions of Sale (Our Price List).



4077 AIRPARK DRIVE, STANDISH, MICHIGAN 48658

989-846-4583

FAX 989-846-9231

1-800-248-0278

www.globesprinkler.com