



RESIDENTIAL
AUTOMATIC SPRINKLERS
MODEL GL4231
HORIZONTAL SIDEWALL
RECESSED HORIZONTAL SIDEWALL

DESCRIPTION AND OPERATION

The Globe Model GL4231 Residential Horizontal Sidewall Sprinklers have a durable design which utilizes a 3mm frangible glass ampule as the thermosensitive element. They feature economy, aesthetics and low flow.

The combination of the 3mm frangible glass ampule and specially designed deflector make the Model GL4231 Sprinklers the ultimate in life safety and fire control. These Globe Horizontal Sidewall and Recessed Horizontal Sidewall Residential Sprinklers have met the strict requirements of Underwriters Laboratories Inc. as described in the UL Standard for Residential Sprinklers for Fire Protection Service, UL 1626, and should be used accordingly. These sprinklers should also be installed in accordance with the appropriate NFPA Standard 13, 13D or 13R and under the direction of the approving authorities having jurisdiction.

The heart of Globe's Model GL4231 sprinklers proven actuating assembly is a hermetically sealed frangible glass ampule that contains a precisely measured amount of fluid. When heat is absorbed, the liquid within the bulb expands increasing the internal pressure. At the prescribed temperature the internal pressure within the ampule exceeds the strength of the glass causing the glass to shatter. This results in water discharge which is distributed in an approved pattern.



RESIDENTIAL
HORIZONTAL
SIDEWALL



RESIDENTIAL
RECESSED
HORIZONTAL SIDEWALL

TECHNICAL DATA

- See reverse side for Approvals and Specifications.
- Temperature Rating - 155°F (68°C), 175°F (79°C).
- Water Working Pressure Rating - 175 psi (12 Bars).
- Factory tested hydrostatically to 500 psi (34 Bars).
- Maximum low temperature glass bulb rating is -67°F (-55°C).
- Frame - bronze • Deflector - brass • Screw - brass
- Bulb seat - copper • Spring - nickel alloy • Seal - teflon
- Bulb - glass with alcohol based solution, 3mm size.
- Escutcheon Assembly - steel

• SPRINKLER TEMPERATURE RATING/CLASSIFICATION and COLOR CODING

CLASSIFICATION	AVAILABLE SPRINKLER TEMPERATURES	BULB COLOR	N.F.P.A. MAXIMUM CEILING TEMPERATURE
ORDINARY	155°F 68°C	RED	100°F 38°C

RESIDENTIAL
AUTOMATIC SPRINKLERS
MODEL GL4231
HORIZONTAL SIDEWALL &
RECESSED HORIZONTAL SIDEWALL

SPECIFICATIONS AND APPROVALS

SIN MODEL	K FACTOR	THREAD SIZE	LENGTH	FINISHES	155°F 68°C	175°F 79°C	cULus	NYC - DOB MEA 101-92-E
GL4231	4.2 (59 metric)	1/2" NPT	2 1/2" (6.4 cm)	Factory Bronze Satin Chrome ¹ Bright Chrome White Polyester ² Black Polyester ² Lead Coated ¹	X	X	X	X

NOTE: METRIC CONVERSIONS ARE APPROXIMATE.

¹FINISHES AVAILABLE ON SPECIAL ORDER.
²AVAILABLE AS C-U.L LISTED CORROSION RESISTANT - POLYESTER MUST BE

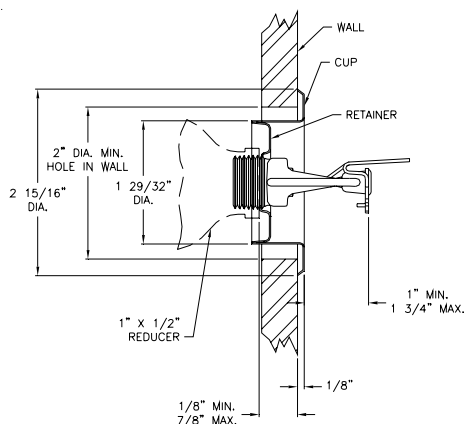
INSTALLATION DATA

HORIZONTAL SIDEWALL AND RECESSED HORIZONTAL SIDEWALL

SIN MODEL	MAXIMUM AREA OF COVERAGE	MINIMUM WATER DISCHARGE & PRESSURES NEEDED PER SPRINKLER *
GL4231	12' x 12'	13 G.P.M. - 9.6 P.S.I.
	14' x 14'	15 G.P.M. - 12.8 P.S.I.
	16' x 16'	16 G.P.M. - 14.5 P.S.I.
	16' x 18'	19 G.P.M. - 20.5 P.S.I.
	16' x 20'	23 G.P.M. - 30.0 P.S.I.

*WHEN THESE SPRINKLERS ARE USED IN NFPA 13 SYSTEMS, A 0.1 DESIGN DENSITY MINIMUM SHALL BE UTILIZED. DEFLECTOR DISTANCE 4" TO 6" DOWN FROM CEILING.

CROSS SECTION



1/2" OR 3/4" ADJUSTMENT RECESSED HORIZONTAL SIDEWALL

ORDERING INFORMATION

SPECIFY

- Quantity • Model Number • Style
- Orifice • Temperature • Finishes desired
- Quantity - Wrenches - P/N 325390
- Quantity - Recessed Wrenches - P/N 327102
- Quantity - Protective Caps - P/N 327109-CAP (Friction Fit Recessed)

GLOBE® PRODUCT WARRANTY

Globe agrees to repair or replace any of its own manufactured products found to be defective in material or workmanship for a period of one year from date of shipment.

For specific details of our warranty please refer to Price List Terms and Conditions of Sale (Our Price List).



4077 AIRPARK DRIVE, STANDISH, MICHIGAN 48658

989-846-4583

FAX 989-846-9231

1-800-248-0278

www.globesprinkler.com