



**REPLACEMENT RESIDENTIAL
AUTOMATIC SPRINKLERS
MODEL GL4234 LOW FLOW
HORIZONTAL SIDEWALL
RECESSED HORIZONTAL SIDEWALL**

DESCRIPTION AND OPERATION

The Globe Model GL4234 Residential Sprinkler is a low profile yet durable design which utilizes a 3mm frangible glass ampule as the thermosensitive element. It features economy, aesthetics and low water flow.

The combination of the 3mm frangible glass ampule and RES4 style deflector make the Model GL4234 Residential Sprinkler the ultimate in life safety and fire control. The Globe Horizontal Sidewall Series of the Model GL4234 Residential Sprinklers have met the strict requirements of Underwriters Laboratories Inc. as described in the UL Standard for Residential Sprinklers for Fire Protection Service, UL 1626, and should be used accordingly.

The heart of Globe's Model GL4234 sprinkler proven actuating assembly is a hermetically sealed frangible glass ampule that contains a precisely measured amount of fluid. When heat is absorbed, the liquid within the bulb expands increasing the internal pressure. At the prescribed temperature the internal pressure within the ampule exceeds the strength of the glass causing the glass to shatter. This results in water discharge which is distributed in an approved pattern.



**RESIDENTIAL
HORIZONTAL SIDEWALL**



**RESIDENTIAL
RECESSED
HORIZONTAL SIDEWALL**

TECHNICAL DATA

- See reverse side for Approvals and Specifications.
- Temperature Rating - 155°F (68°C), 175°F (79°C).
- Water Working Pressure Rating - 175 psi (12 Bars).
- Factory tested hydrostatically to 500 psi (34 Bars).
- Maximum low temperature glass bulb rating is -67°F (-55°C).
- Frame - bronze • Deflector - brass • Screw - brass
- Bulb seat - copper • Spring - nickel alloy • Seal - teflon
- Bulb - glass with alcohol based solution, 3mm size.
- Escutcheon Assembly - steel

• SPRINKLER TEMPERATURE RATING/CLASSIFICATION and COLOR CODING

CLASSIFICATION	AVAILABLE SPRINKLER TEMPERATURES		BULB COLOR	N.F.P.A. MAXIMUM CEILING TEMPERATURE	
ORDINARY	155°F	68°C	RED	100°F	38°C
INTERMEDIATE	175°F	79°C	YELLOW	150°F	66°C

REPLACEMENT RESIDENTIAL AUTOMATIC SPRINKLERS MODEL GL4234 STYLE LOW FLOW HORIZONTAL SIDEWALL • RECESSED HORIZONTAL SIDEWALL

SPECIFICATIONS AND APPROVALS

SIN MODEL	K FACTOR	THREAD SIZE	LENGTH	FINISHES	155°F 68°C	175°F (79°C)	cULus
GL4234	4.2 (59 metric)	1/2" NPT	2 1/2" (6.4 cm)	Factory Bronze *Satin Chrome Bright Chrome White Polyester+ Black Polyester+ *Lead Coated	X	X	X

NOTE: METRIC CONVERSIONS ARE APPROXIMATE.

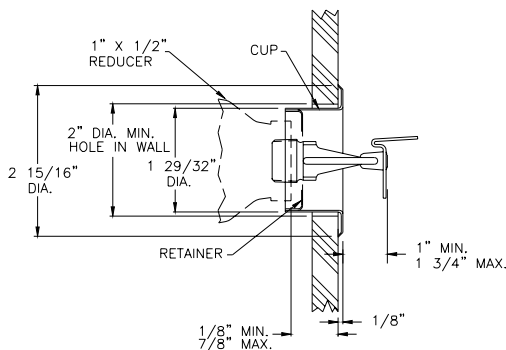
*FINISHES AVAILABLE ON SPECIAL ORDER.
+AVAILABLE AS UL LISTED CORROSION RESISTANT WHEN SPECIFIED ON ORDER.

INSTALLATION DATA

HORIZONTAL SIDEWALL AND RECESSED HORIZONTAL SIDEWALL SPRINKLER

MAXIMUM AREA OF COVERAGE	DEFLECTOR POSITION BELOW CEILING	TEMP. RATING °F	MINIMUM WATER DISCHARGE & PRESSURES NEEDED	
			SINGLE SPRINKLER	TWO SPRINKLERS
12' x 12'	4" - 6"	155 / 175	13 G.P.M. - 9.6 P.S.I.	11 G.P.M. - 7 P.S.I.
	6" - 12"	155 / 175	15 G.P.M. - 12.8 P.S.I.	12 G.P.M. - 8.2 P.S.I.
14' x 14'	4" - 6"	155 / 175	14 G.P.M. - 11.1 P.S.I.	12 G.P.M. - 8.2 P.S.I.
	6" - 12"	155 / 175	16 G.P.M. - 14.5 P.S.I.	14 G.P.M. - 11.1 P.S.I.
16' x 16'	4" - 6"	155 / 175	17 G.P.M. - 16.4 P.S.I.	14 G.P.M. - 11.1 P.S.I.
	6" - 12"	155 / 175	19 G.P.M. - 20.5 P.S.I.	18 G.P.M. - 18.4 P.S.I.
16' x 18'	4" - 6"	155	21 G.P.M. - 25.0 P.S.I.	19 G.P.M. - 20.5 P.S.I.
16' x 20'	4" - 6"	155	27 G.P.M. - 41.3 P.S.I.	21.5 G.P.M. - 26.2 P.S.I.
18' x 18'	4" - 6"	155	22 G.P.M. - 27.4 P.S.I.	19 G.P.M. - 20.5 P.S.I.

CROSS SECTION



RECESSED HORIZONTAL SIDEWALL

ORDERING INFORMATION

SPECIFY

- Quantity • Model Number • Style
- Orifice • Temperature • Finishes desired
- Quantity - Wrenches - P/N 325390
- Quantity - Recessed Wrenches - P/N 327102
- Quantity - Protective Caps - P/N 327109-CAP (Friction Fit Recessed)

GLOBE® PRODUCT WARRANTY

Globe agrees to repair or replace any of its own manufactured products found to be defective in material or workmanship for a period of one year from date of shipment.

For specific details of our warranty please refer to Price List Terms and Conditions of Sale (Our Price List).



4077 AIRPARK DRIVE, STANDISH, MICHIGAN 48658
989-846-4583 FAX 989-846-9231
1-800-248-0278 www.globesprinkler.com