



**AUTOMATIC SPRINKLERS
HIGH PRESSURE
MODEL GL5655
CONCEALED PENDENT**

DESCRIPTION AND OPERATION

The Globe High Pressure Model GL5655 Concealed Pendent Sprinkler offers the ultimate in low profile, aesthetically pleasing appearance. All that is seen at the ceiling is a 3 5/16" diameter ceiling plate color finished to match the specifier's exact requirements. The Model GL5655 Concealed Sprinkler may be virtually invisible as it does not interrupt the "smooth flow" of the ceiling, and may be used in areas where flowing and static pressure do not exceed 300 psi. Globe's Concealed Sprinkler utilizes its frangible glass ampule type sprinkler which is located above the ceiling and concealed from view by the ceiling plate. The plate is soldered to the sprinkler special upper support assembly in three places. Upon the application of sufficient heat, the plate falls to the floor exposing the pendent spray sprinkler. At the ampule's rated temperature, the sprinkler opens discharging water onto the floor in its required and approved distribution pattern.

A special spring is attached to the pendent sprinkler deflector that serves to provide a constant tension against the ceiling plate. This feature virtually ensures freedom from environmental vibration problems.

TECHNICAL DATA

- See reverse side for Approvals and Specifications.
- Temperature Ratings -
 - 135°F (57°C) Sprinkler, 135°F (57°C) Cover Plate;
 - 155°F (68°C) Sprinkler, 135°F (57°C) Cover Plate;
 - 155°F (68°C) Sprinkler, 155°F (68°C) Cover Plate;
 - 175°F (79°C) Sprinkler, 155°F (68°C) Cover Plate;
 - 200°F (93°C) Sprinkler, 155°F (68°C) Cover Plate.
- Water Working Pressure Rating - 300 psi (21 Bars).
- Factory tested hydrostatically to 850 psi (59 Bars).
- Maximum low temperature glass bulb rating is -67°F (-55°C).
- Frame - bronze • Deflector - brass • Screw - brass
- Bulb seat - copper • Spring - nickel alloy • Seal - teflon
- Bulb - glass with glycerin solution, 5mm size.
- Cover Plate - brass
- Upper Escutcheon Assembly - steel



**WHITE
CONCEALED PENDENT**

• SPRINKLER TEMPERATURE RATING/CLASSIFICATION and COLOR CODING

CLASSIFICATION	AVAILABLE SPRINKLER TEMPERATURES		BULB COLOR	N.F.P.A. MAXIMUM CEILING TEMPERATURE	
ORDINARY	135°F/155°F	57°C/68°C	ORANGE/RED	100°F	38°C
INTERMEDIATE	175°F/200°F	79°C/93°C	YELLOW/GREEN	150°F	66°C

AUTOMATIC SPRINKLERS HIGH PRESSURE MODEL GL5655 CONCEALED PENDENT

SPECIFICATIONS

NOMINAL "K" FACTOR	THREAD SIZE	LENGTH	FINISHES*
5.6 (80 metric)	1/2" NPT	2 1/4" (5.7 cm)	Bright Chrome White Painted Bright Brass Other Painted Finishes

NOTE: METRIC CONVERSIONS ARE APPROXIMATE.

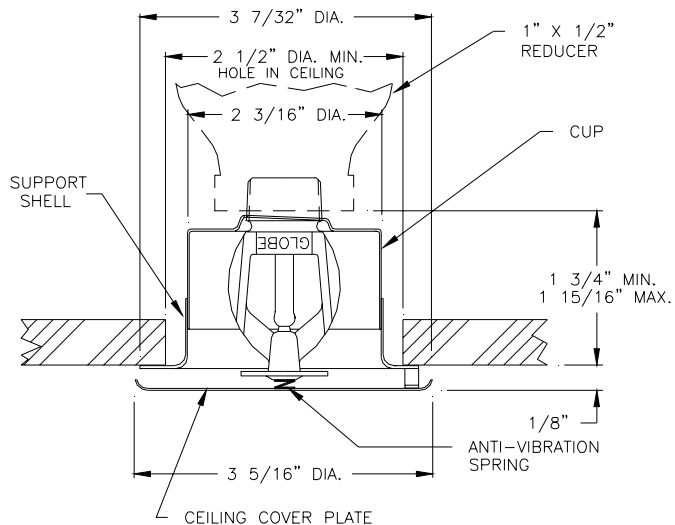
*FINISHES AVAILABLE ON SPECIAL ORDER. PAINTED PLATES OTHER THAN WHITE REQUIRE CUSTOMER TO FURNISH PAINT.

APPROVALS

STYLE	SIN MODEL	K FACTOR	135°F (57°C) WITH PLATE 135°F (57°C)	155°F (68°C) WITH PLATE 135°F (57°C)	175°F (79°C) WITH PLATE 155°F (68°C)	200°F (93°C) WITH PLATE 155°F (68°C)	cULus
CONCEALED PENDENT	GL5655	5.6*	X	X	X	X	X

*1/2" ORIFICE LISTED FOR ALL HAZARDS.

CROSS SECTION



1/8" ADJUSTMENT

ORDERING INFORMATION SPECIFY

- Quantity • Model Number • Style
- Orifice • Thread Sizes • Temperature
- Finishes desired
- Quantity - Concealed Wrenches - P/N 325391
- Quantity - Protective Caps - P/N 327119

GLOBE® PRODUCT WARRANTY

Globe agrees to repair or replace any of its own manufactured products found to be defective in material or workmanship for a period of one year from date of shipment.

For specific details of our warranty please refer to Price List Terms and Conditions of Sale (Our Price List).



4077 AIRPARK DRIVE, STANDISH, MICHIGAN 48658

989-846-4583

1-800-248-0278

FAX 989-846-9231

www.globesprinkler.com