

Sprinkler

Residential Type Sprinkler

Paradise **Residential** sprinkler has been designed to offer fast response to fire and appropriate discharge and spray pattern for residential area fire. Differently from **Standard** sprinkler, it offers wider discharge angle to cover even walls, making it suitable for apartment, houses and multi-service business (**Easy Sprinkler System**).

Operation

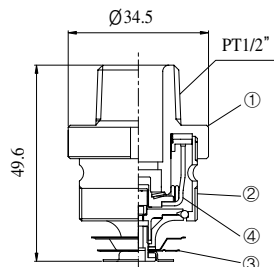
Same as the operation mechanism of flush type sprinkler.

Specification

Model No.	FH731QR	FH732QR
Working Temperature	72°C	105°C
Max. Ambient Temperature	39°C	67°C
Surface Finishing	Nickel-Chrome Plated	
Connection Screw Size	15A (PT 1/2")	
Orifice Size	Ø 10.5mm	
Test Pressure	25kgf/cm ²	
Flow Rate	50L /min-1kgf/cm ² (K=50)	
Weight	11.5kg/Box	
Packaging	100Ea	

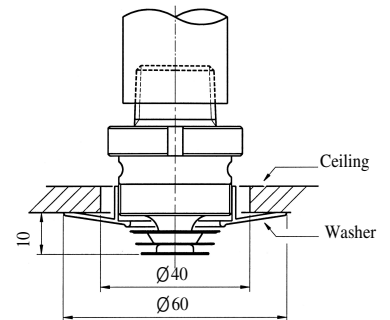


Assembly Diagram



NO	Part	Material
1	Body	Forged Brass
2	Frame	Brass
3	Heat Collector	Copper
4	Deflector	Copper

Installation Diagram



Residential Sprinkler Spray Distribution

