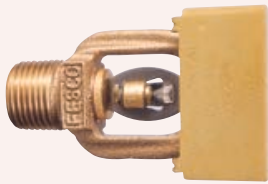


# Sidewall Type Sprinkler System

Paradise **Sidewall type** sprinkler is available in both horizontal and vertical type. It offers rectangular spray pattern and is ideally suited for use in the sprinkler hard-install area such as fire-prevention shutter area, mechanical parking building, hotel and escalator.

## Standard Type

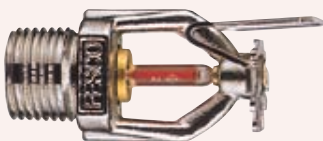


Horizontal Side Wall Type



Vertical Side Wall Type

## Glass Bulb Type



Horizontal Side Wall



Vertical Side Wall Type

### Operation

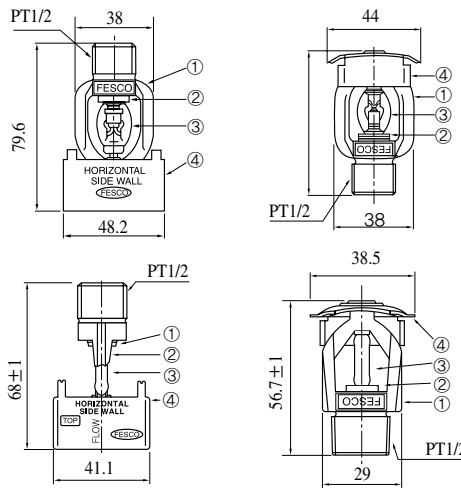
Same as **Standard** and **Glass bulb type** sprinkler.

### Specification

Model No.	FH131-2 (FH131-3)	FH132-1 (FH132-2)	FH133	FH134	FH231 (FH231-1)	FH232 (FH232-1)
Working Temperature	72°C	105°C	143°C	183°C	68°C	93°C
Max. Ambient Temperature	39°C	67°C	101°C	137°C	39°C	56°C
Temp Indication Color	Copper	White	Blue	Red	Red	Green
Connection Screw Size	15A (PT 1/2 ")					
Orifice Size	ø 11.1mm					
Test Pressure	25kgf/cm <sup>2</sup>					
Flow Rate	80ℓ /min-1kgf/cm <sup>2</sup> (K=80)					
Weight	11.5kg/Box			8kg/Box		
Packaging	100Ea					

※ Number in ( ) represents Vertical Sidewall Type Model Number.

### Assembly Diagram



NO	Part	Material
1	Frame	Cast Brass
2	Gasket Holder	Brass
3	Supporter	STS
4	Deflector	Brass

NO	Part	Material
1	Frame	Forged Brass
2	Bulb Cap	Brass
3	Glass Bulb	-
4	Deflector	Brass

### Installation Diagram

