

# Sprinkler

## Standard Type Sprinkler

Paradise **Standard type** sprinkler is widely used for factory, parking lot, apartment, special industrial facility and general building.



Pendent Type



Upright Type

### Operation

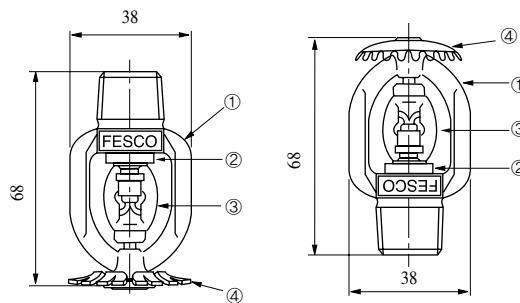
**Standard type** sprinkler uses special alloy fuse. When the ambient temperature reaches the predefined temperature, heat sensing element is broken open to start spraying the water.

### Specification

Model No.	FH121(FH111)	FH122(FH112)	FH123(FH113)	FH124(FH114)
Working Temperature	72°C	105°C	143°C	183°C
Max. Ambient Temperature	39°C	67°C	101°C	137°C
Temp. Indication Color	Copper	White	Blue	Red
Connection Screw Size	15A (PT 1/2 ")			
Orifice Size	ø 11.1mm			
Test Pressure	25kgf/cm <sup>2</sup>			
Flow Rate	80ℓ /min-1kgf/cm <sup>2</sup> (K=80)			
Weight	11.5kg/Box			
Packaging	100Ea			

※ Number in ( ) represents Upright Type Model Number.

### Assembly Diagram



NO	Part	Material
1	Frame	Cast Bronze
2	Gasket Holder	Brass
3	Supporter	STS
4	Deflector	Brass

### Installation Diagram

