

## Model TFP PH2 — 5.6 K-factor Institutional Pendent Sprinklers Standard Response, Standard Coverage

### General Description

The Model TFP PH2, 5.6 K-factor, Institutional Pendent Sprinklers are standard response - standard coverage, fusible solder type spray sprinklers designed for use in areas such as correctional, detention, and mental health care facilities.

The unique features of the Model TFP PH2 provide a tamper resistant sprinkler design that helps eliminate the opportunity for individuals to injure themselves or others with the components of a fire sprinkler. At the same time, the Model TFP PH2 optimizes an aesthetically appealing flush design that conceals most of the operating parts.

#### WARNING

*The Model TFP PH2 Institutional Pendent Sprinklers described herein must be installed and maintained in compliance with this document, as well as with the applicable standards of the National Fire Protection Association, in addition to the standards of any other authorities having jurisdiction. Failure to do so may impair the performance of these devices.*

*The owner is responsible for maintaining their fire protection system and devices in proper operating condition. The installing contractor or manufac-*

#### IMPORTANT

*Always refer to Technical Data Sheet TFP700 for the "INSTALLER WARNING" that provides cautions with respect to handling and installation of sprinkler systems and components. Improper handling and installation can permanently damage a sprinkler system or its components and cause the sprinkler to fail to operate in a fire situation or cause it to operate prematurely.*

*turer should be contacted with any questions.*

### Sprinkler Identification Number

SIN TY3290

### Technical Data

#### Approvals

UL and C-UL Listed.  
(Refer to the Design Criteria section.)  
NYC under MEA 351-01-E.

#### Maximum Working Pressure

175 psi (12,1 bar)

#### Inlet Thread Connection

1/2 inch NPT

#### Discharge Coefficient

$K = 5.6 \text{ GPM/psi}^{1/2}$   
(80,6 LPM/bar<sup>1/2</sup>)

#### Temperature Ratings

140°F/60°C,  
165°F/74°C, or  
212°F/100°C

#### Finishes

Sprinkler: Chrome Plated  
Escutcheon: Chrome Plated

#### Physical Characteristics

Body . . . . .	Brass
Deflector . . . . .	Bronze
Deflector Reinforcement . . .	Bronze
Deflector Post . . . . .	Bronze
Deflector Post Pin . . . . .	Bronze
Deflector Core . . . . .	Bronze
Compression Screw . . . . .	Bronze
Lever . . . . .	Bronze
Release Spring . . . . .	Bronze
Core Sleeve . . . . .	Copper
Sealing Assembly . . . . .	
. . . . .	Beryllium Nickel w/ Teflon*
Fusible Element . . . . .	
. . . . .	Solder, Copper, Stainless Steel
Dust Cover . . . . .	Chrome Plated Steel



### Operation

In the standby condition, the design of the Model TFP PH2 is such that a dynamic load of 80 lbs. (36 kg) or more applied to the linkage mechanism will release the sprinkler. Also, when properly installed, the escutcheon is held fast to the ceiling to deter its removal. The shape of the escutcheon cannot be easily grasped, which further deters tampering.

A fusible solder operating element secures the linkage mechanism of the Model TFP PH2. When the rated temperature is reached, the solder melts releasing the linkage mechanism that holds the sprinkler closed. This allows the deflector to extend downward and water to flow.

### Design Criteria

The 5.6 K-factor, Model TFP PH2 (SIN TY3290) Institutional Pendent Sprinklers are intended for use with fire protection systems designed in accordance with the standard installation rules recognized by the applicable Listing or Approval agency (e.g., UL

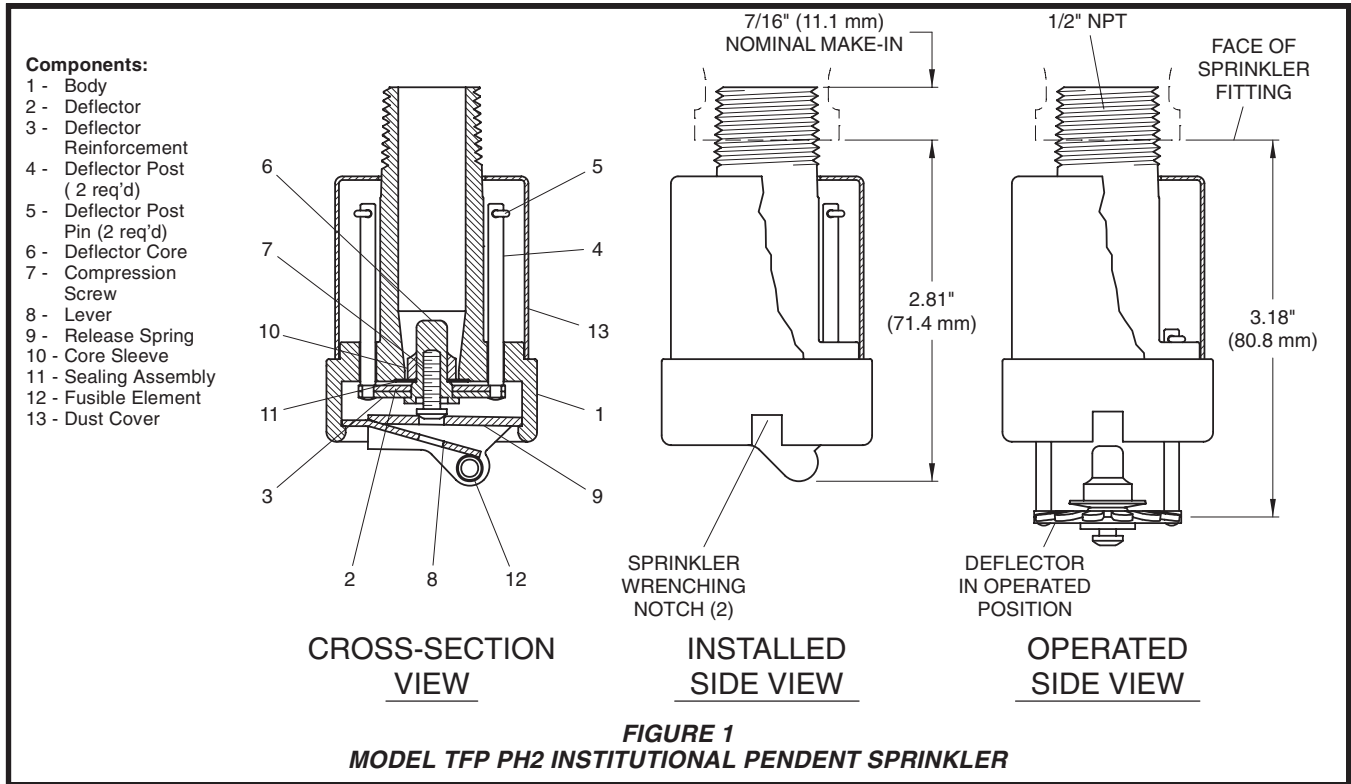


FIGURE 1  
MODEL TFP PH2 INSTITUTIONAL PENDENT SPRINKLER

Listing is based on NFPA 13 requirements).

Only the Institutional Escutcheons shown in Figure 2 can be utilized with the Model TFP PH2. A maximum of three Model 1752 Spacers can only be utilized with Style B1 or C Institutional Escutcheons when vertical adjustment is desired.

**NOTE**

*Integrity of the tamper resistant design of the Institutional Escutcheons is dependent on the piping installation design. When installed properly, the Institutional Escutcheon is held fast to the mounting surface by the tightening of the sprinkler assembly into the sprinkler fitting. In order to accomplish a proper installation, the sprinkler fitting must be properly located with respect to distance from the face of the sprinkler fitting to the face of the mounting surface (Ref. Fig. 2); the sprinkler fitting being rigidly secured and held immobile; and, the centerline of the sprinkler fitting being perpendicular to the mounting surface to assure that the escutcheon sits squarely against the mounting surface around the entire perimeter of the Institutional Escutcheon.*

## Installation

The 5.6 K-factor, Model TFP PH2 Sprinklers must be installed in accordance with the following instructions:

**NOTES**

*Refer to the Design Criteria section for important information regarding the piping installation design and its effect on maintaining the integrity of the tamper resistant design of the Institutional Escutcheons.*

*A leak tight 1/2 inch NPT sprinkler joint should be obtained with a torque of 7 to 14 ft.lbs. (9,5 to 19,0 Nm). A maximum of 21 ft.lbs. (28,5 Nm) of torque is to be used to install these sprinklers. Higher levels of torque may distort the sprinkler inlet with consequent leakage or impairment of the sprinkler.*

*Do not attempt to compensate for improper location of the sprinkler fitting by under- or over-tightening the sprinkler. Readjust the position of the sprinkler fitting to suit, or increase or decrease the number of Model 1752 Spacers, as applicable.*

*After the installation is complete, make certain that the Institutional Escutcheon is held fast to the mounting surface and that it sits squarely against the ceiling around its entire perimeter.*

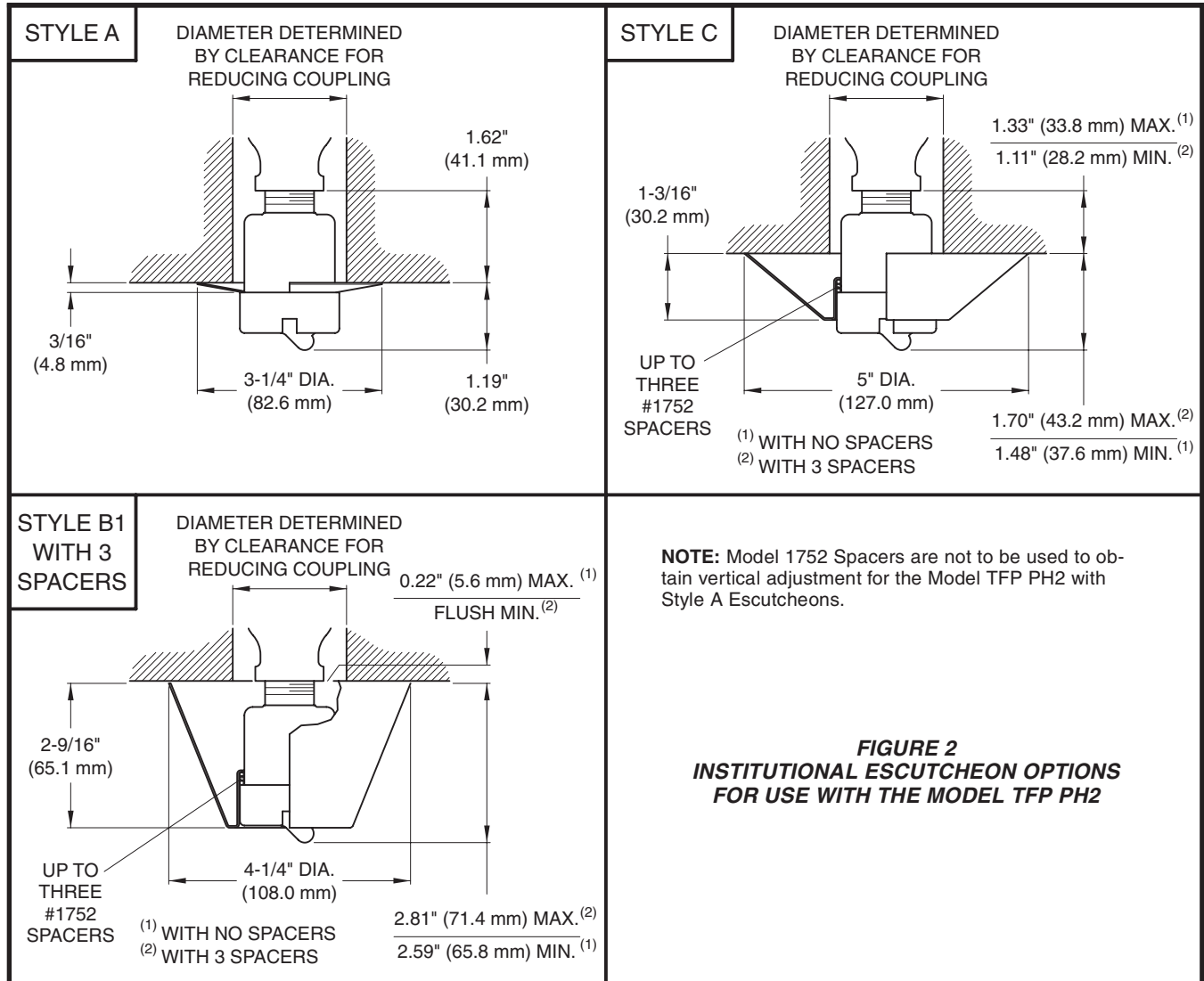
**Step 1.** The TFP PH2 Sprinklers must be installed pendent and with the cen-

terline of their waterway perpendicular to the ceiling.

**Step 2.** With the Institutional Escutcheon in place and with pipe thread sealant applied to the pipe threads, hand tighten the sprinkler into the sprinkler fitting.

**Step 3.** Wrench tighten the Sprinkler using only the Model 1509-3 Sprinkler Wrench (Ref. Fig. 4). The wrenching teeth of the Sprinkler Wrench are to be applied to the sprinkler wrenching notch areas (Ref. Fig. 1).

**Step 4.** After the installation is complete, make certain that the Institutional Escutcheon is held fast to the mounting surface and that it sits squarely against the ceiling around its entire perimeter.



## Care and Maintenance

The 5.6 K-factor, Model TFP PH2 Sprinklers must be maintained and serviced in accordance with the following instructions:

### NOTES

Service inspections should be made on a regular basis to detect possible damage or alterations to the sprinkler and escutcheon. Inspections should include making certain that the Institutional Escutcheon is held fast to the mounting surface. Damaged or altered sprinklers are to be replaced immediately to avoid personal injury and to prevent use for causing personal injury, as well as to maintain the sprinkler system in an operative condition.

Before closing a fire protection system main control valve for maintenance

work on the fire protection system that it controls, permission to shut down the affected fire protection systems must be obtained from the proper authorities and all personnel who may be affected by this action must be notified.

Sprinklers that are found to be leaking or exhibiting visible signs of corrosion must be replaced.

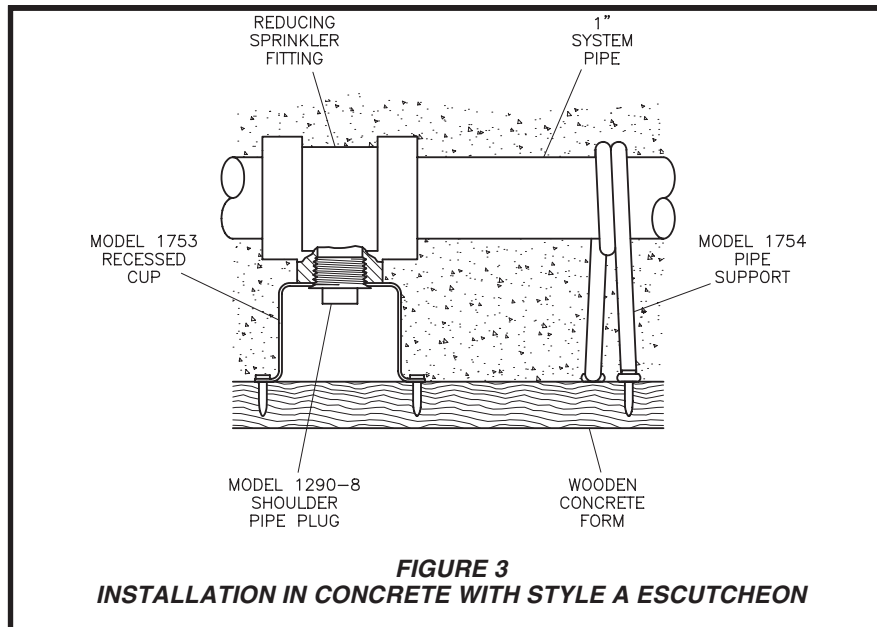
Automatic sprinklers must never be painted, plated, coated, or otherwise altered after leaving the factory. Modified or over-heated sprinklers must be replaced.

Care must be exercised to avoid damage to the sprinklers - before, during, and after installation. Sprinklers damaged by dropping, striking, wrench twist/slippage, or the like, must be replaced.

The owner is responsible for the inspection, testing, and maintenance of their fire protection system and de-

vices in compliance with this document, as well as with the applicable standards of the National Fire Protection Association (e.g., NFPA 25), in addition to the standards of any other authorities having jurisdiction. The installing contractor or sprinkler manufacturer should be contacted relative to any questions.

It is recommended that automatic sprinkler systems be inspected, tested, and maintained by a qualified Inspection Service in accordance with local requirements and/or national codes.

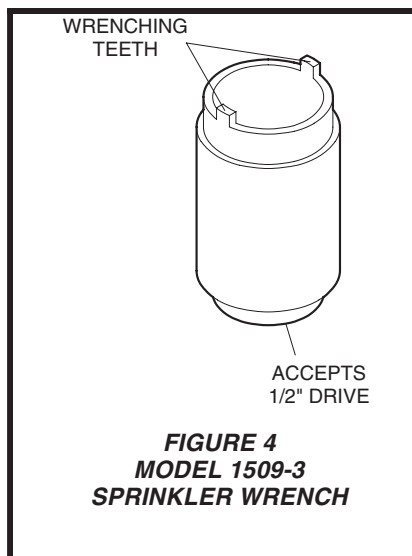


**FIGURE 3**  
**INSTALLATION IN CONCRETE WITH STYLE A ESCUTCHEON**

## Limited Warranty

Products manufactured by Tyco Fire Products are warranted solely to the original Buyer for ten (10) years against defects in material and workmanship when paid for and properly installed and maintained under normal use and service. This warranty will expire ten (10) years from date of shipment by Tyco Fire Products. No warranty is given for products or components manufactured by companies not affiliated by ownership with Tyco Fire Products or for products and components which have been subject to misuse, improper installation, corrosion, or which have not been installed, maintained, modified or repaired in accordance with applicable Standards of the National Fire Protection Association, and/or the standards of any other Authorities Having Jurisdiction. Materials found by Tyco Fire Products to be defective shall be either repaired or replaced, at Tyco Fire Products' sole option. Tyco Fire Products neither assumes, nor authorizes any person to assume for it, any other obligation in connection with the sale of products or parts of products. Tyco Fire Products shall not be responsible for sprinkler system design errors or inaccurate or incomplete information supplied by Buyer or Buyer's representatives.

IN NO EVENT SHALL TYCO FIRE PRODUCTS BE LIABLE, IN CONTRACT, TORT, STRICT LIABILITY OR UNDER ANY OTHER LEGAL THEORY, FOR INCIDENTAL, INDIRECT, SPECIAL OR CONSEQUENTIAL



**FIGURE 4**  
**MODEL 1509-3**  
**SPRINKLER WRENCH**

DAMAGES, INCLUDING BUT NOT LIMITED TO LABOR CHARGES, REGARDLESS OF WHETHER TYCO FIRE PRODUCTS WAS INFORMED ABOUT THE POSSIBILITY OF SUCH DAMAGES, AND IN NO EVENT SHALL TYCO FIRE PRODUCTS' LIABILITY EXCEED AN AMOUNT EQUAL TO THE SALES PRICE.

**THE FOREGOING WARRANTY IS MADE IN LIEU OF ANY AND ALL OTHER WARRANTIES EXPRESS OR IMPLIED, INCLUDING WARRANTIES OF MERCHANTABILITY AND FITNESS FOR A PARTICULAR PURPOSE.**

## Ordering Procedure

Contact your local distributor for availability.

### Sprinkler Assemblies:

Specify: 5.6 K-factor, Chrome Plated, (specify temperature rating), Model TFP PH2 (TY3290) Institutional Pendant Sprinkler.

140F/60C .....	P/N 51-104-9-140
165F/74C .....	P/N 51-104-9-165
212F/100C .....	P/N 51-104-9-212

### Separately Ordered Escutcheons:

Specify: Style (A, B1, or C), Chrome Plated, Institutional Escutcheons.

Style A .....	P/N 56-012-7-622
Style B1 .....	P/N 56-001-7-511
Style C .....	P/N 56-001-7-513

### Separately Ordered Wrenches:

Specify: Model 1509-3 Sprinkler Wrench, P/N 56-001-5-093.

### Separately Ordered Spacers For Vertical Adjustment:

Specify: Model 1752 Spacers for use with Style B-1 and C Institutional Escutcheons, P/N 56-000-1-752.

### Separately Ordered Parts For Installation In Concrete With Type A Escutcheon:

Specify: Model 1753 Recessed Cup for use with Style A Escutcheon for installation in concrete, P/N 56-000-1-753.

Specify: Model 1290-8 Pipe Plug With Shoulder for use with Style A Escutcheon for installation in concrete, P/N 56-001-2-908.

Specify: Model 1754 Pipe Support for use with Style A Escutcheon for installation in concrete, P/N 56-000-1-754.