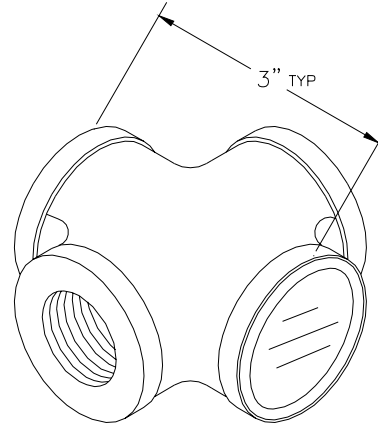
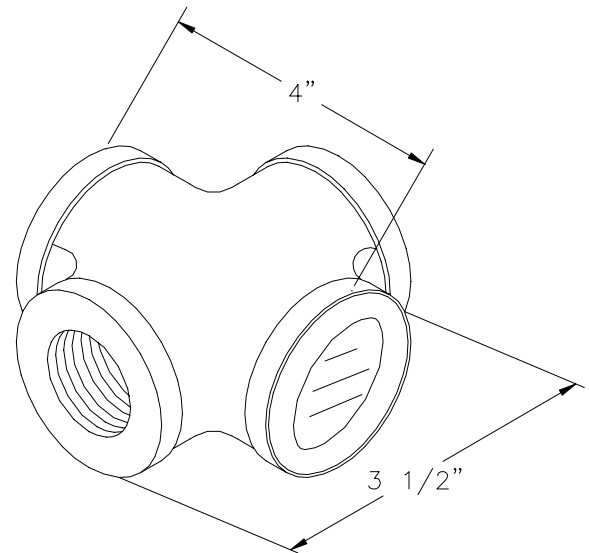




*SIGHT DRAINS
FOR
AUTOMATIC SPRINKLER SYSTEMS*



**1" NPT SIGHT DRAIN
P/N 323310
175 PSI MAXIMUM WWP**



**2" NPT SIGHT DRAIN
P/N 323320
175 PSI MAXIMUM WWP**